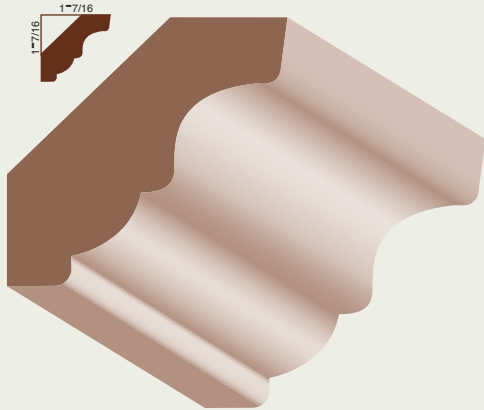


CROWN & CORNICE MOLD

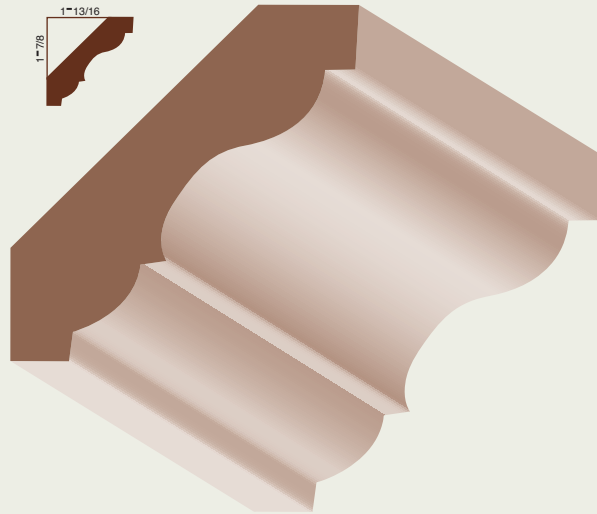
MUL = Ultralite MDF
 MBB = Standard to Lightweight MDF

— \mathcal{R} 1-7/8 TO 3-1/4 \mathcal{S} —

Lengths Available: 16'



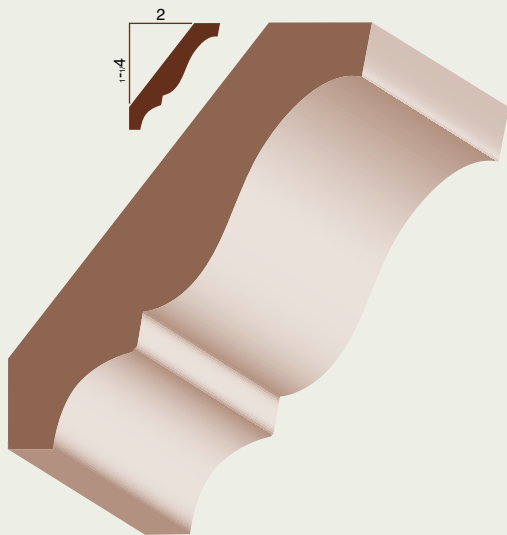
420MUL 9/16 x 1-7/8 Bed Mold



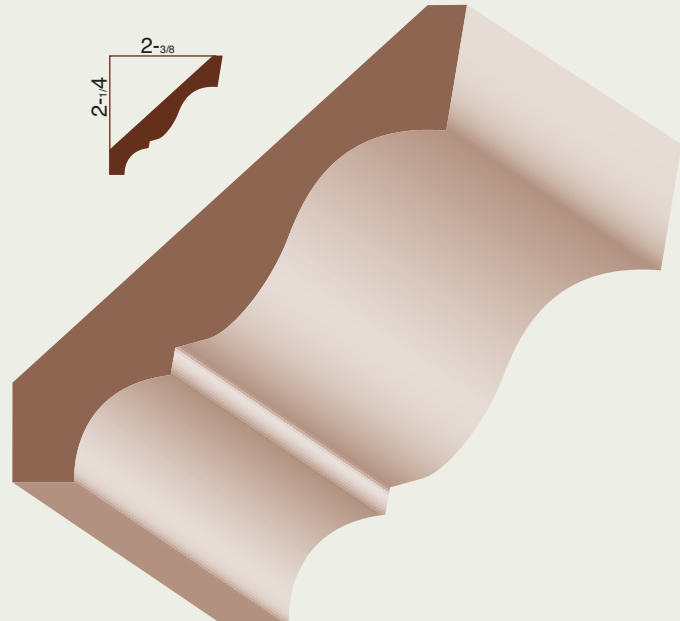
402MUL 9/16 x 2-1/2 Bed Mold



419MUL 1 x 1-7/8 Corner Mold



401MUL 9/16 x 2-5/8 Colonial Crown



405MBB 9/16 x 3-1/4 Colonial Crown

405MUL 9/16 x 3-1/4 Colonial Crown

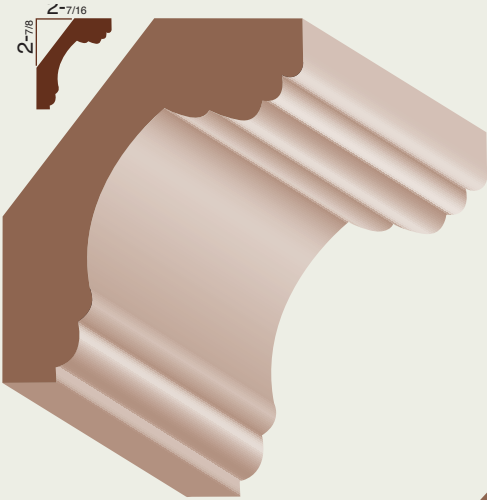


MUL = Ultralite MDF
MBB = Standard to Lightweight MDF

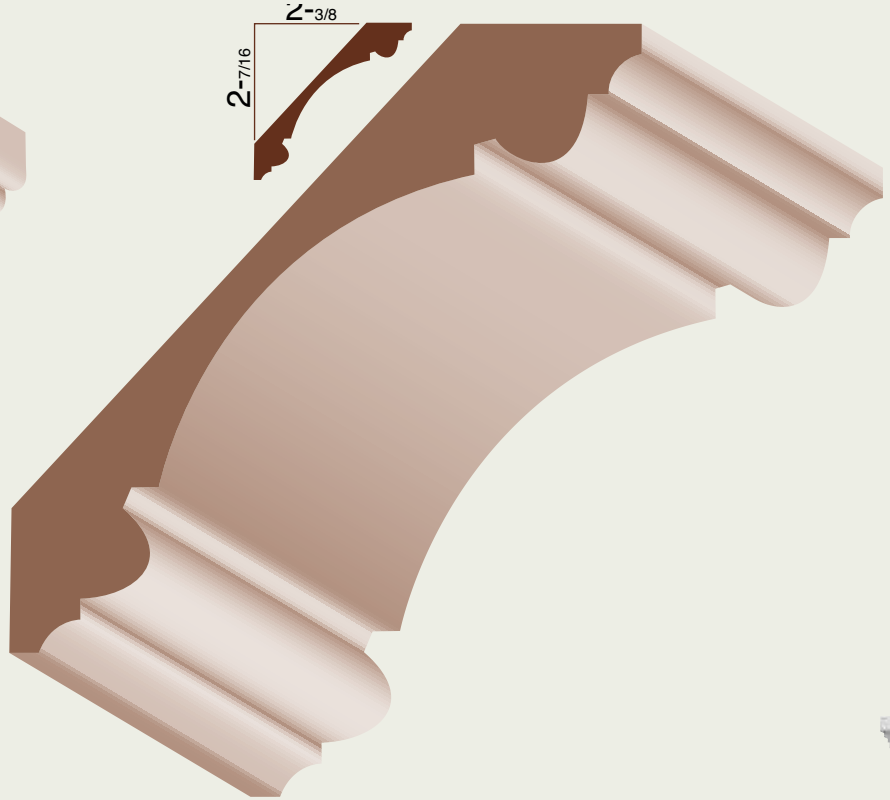
CROWN & CORNICE MOLD

—  3-3/8 TO 3-7/16  —

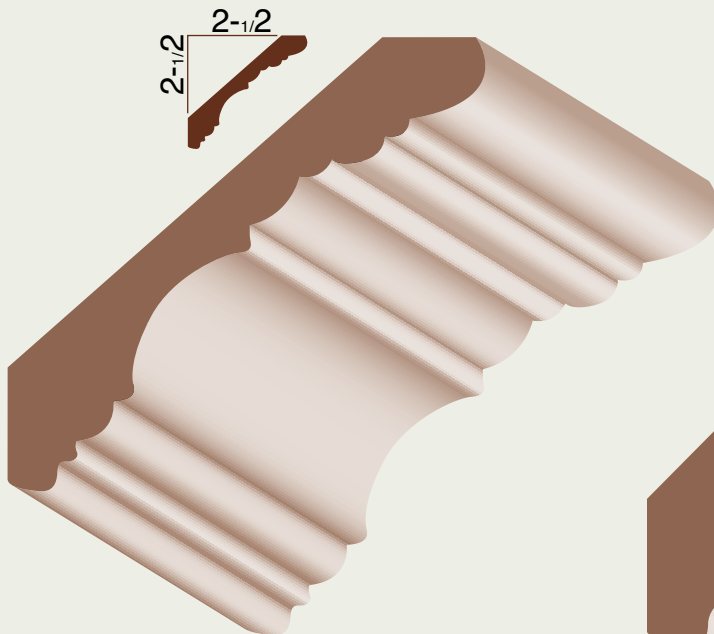
Lengths Available: 16'



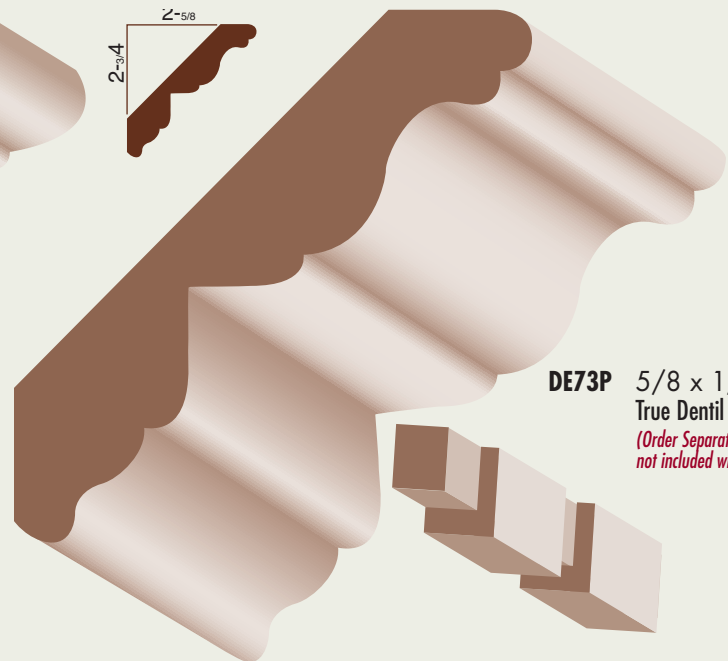
411MUL 1-1/4 x 3-3/4 Cornice



421MUL 3/4 x 3-3/8 Carolina Crown



426MUL 9/16 x 3-7/16 Georgian Crown



425MUL-3 13/16 x 3-3/4 Dentil Ready Crown

DE73P 5/8 x 1/2
True Dentil
*(Order Separately—
not included with crown)*

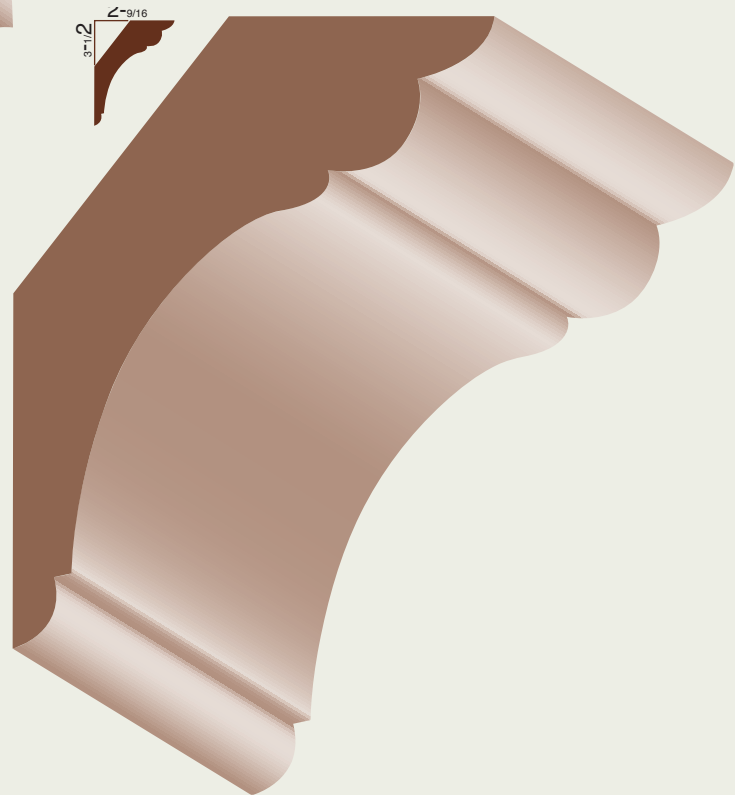
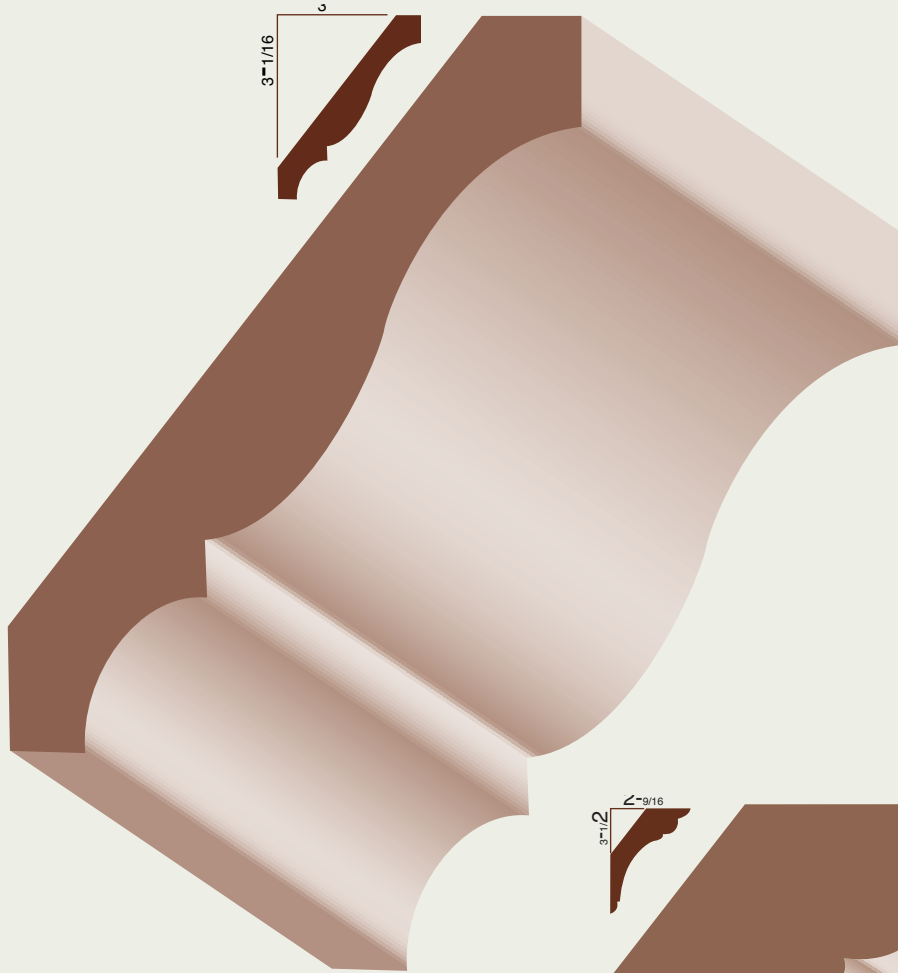


CROWN & CORNICE MOLD

MUL = Ultralite MDF
 MBB = Standard to Lightweight MDF

— $4\text{-}\frac{1}{4}\text{'}$ —

Lengths Available: 16'



406MBB 9/16 x 4-1/4 Colonial Crown
406MUL 9/16 x 4-1/4 Colonial Crown

407MUL 1-1/8 x 4-1/4 Cornice

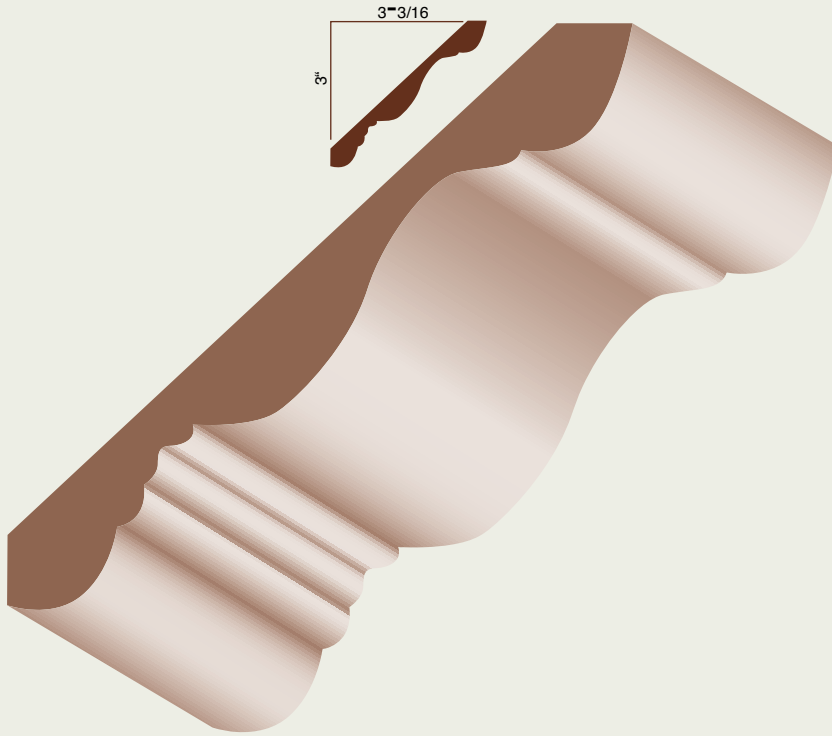


MUL = Ultralite MDF
MBB = Standard to Lightweight MDF

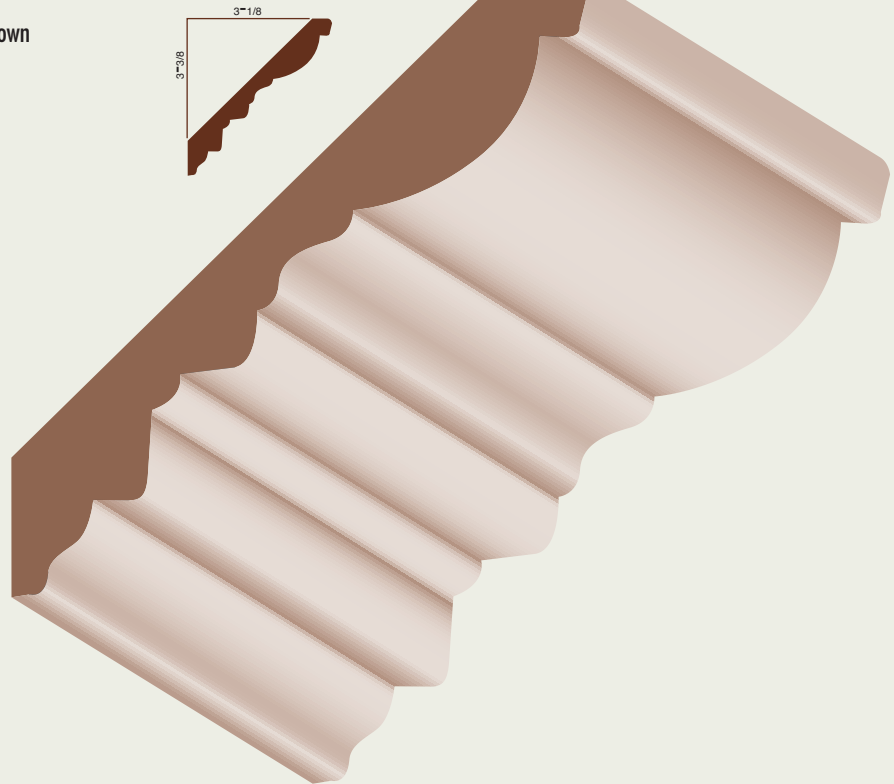
CROWN & CORNICE MOLD

—  4-1/4 TO 4-3/8  —

Lengths Available: 16'



413MUL 9/16 x 4-1/4 Small 410 Crown



422MUL 9/16 x 4-3/8 Savannah Crown

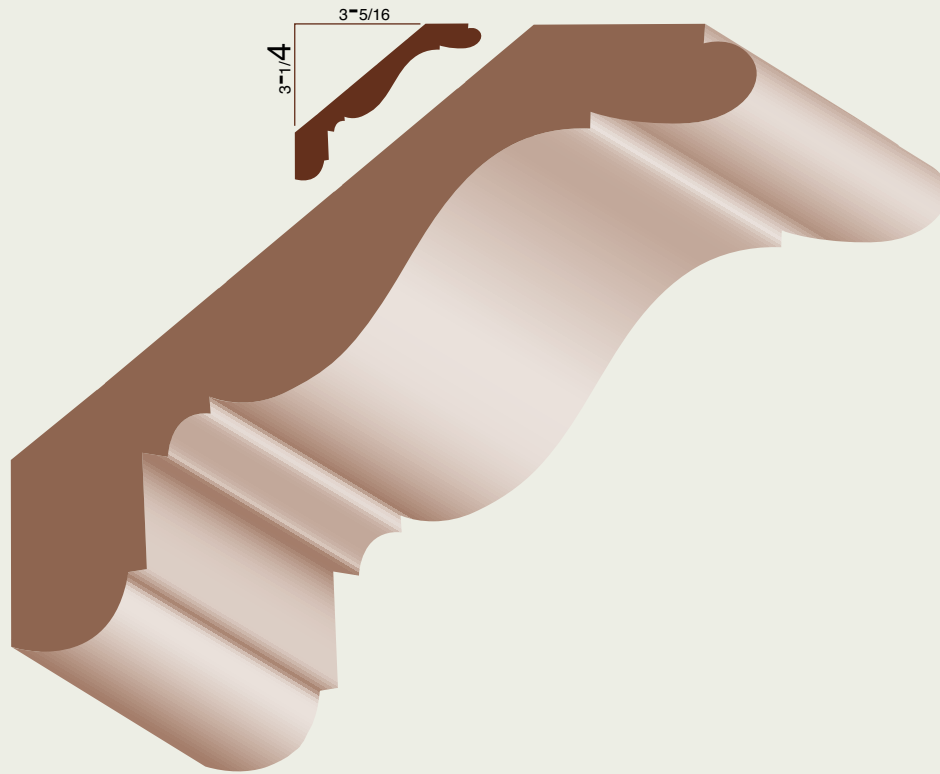
STANDARD MOULDINGS :: ULTRALITE & BASIC MDF



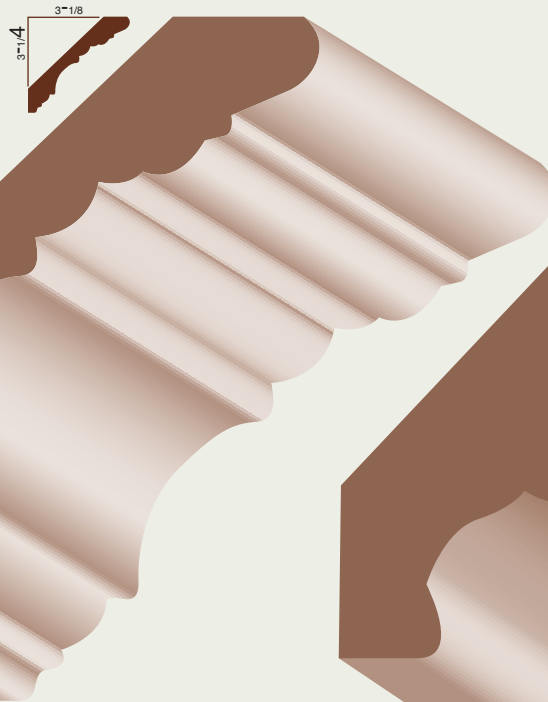
CROWN & CORNICE MOLD

MUL = Ultralite MDF
 MBB = Standard to Lightweight MDF

—  **4-1/2"**  —
 Lengths Available: 16'



409MUL 3/4 x 4-1/2 Ultralite Cornice



412MUL 9/16 x 4-1/2 Georgian Crown



430MUL 1 x 4-1/2 Single Bead Crown

130

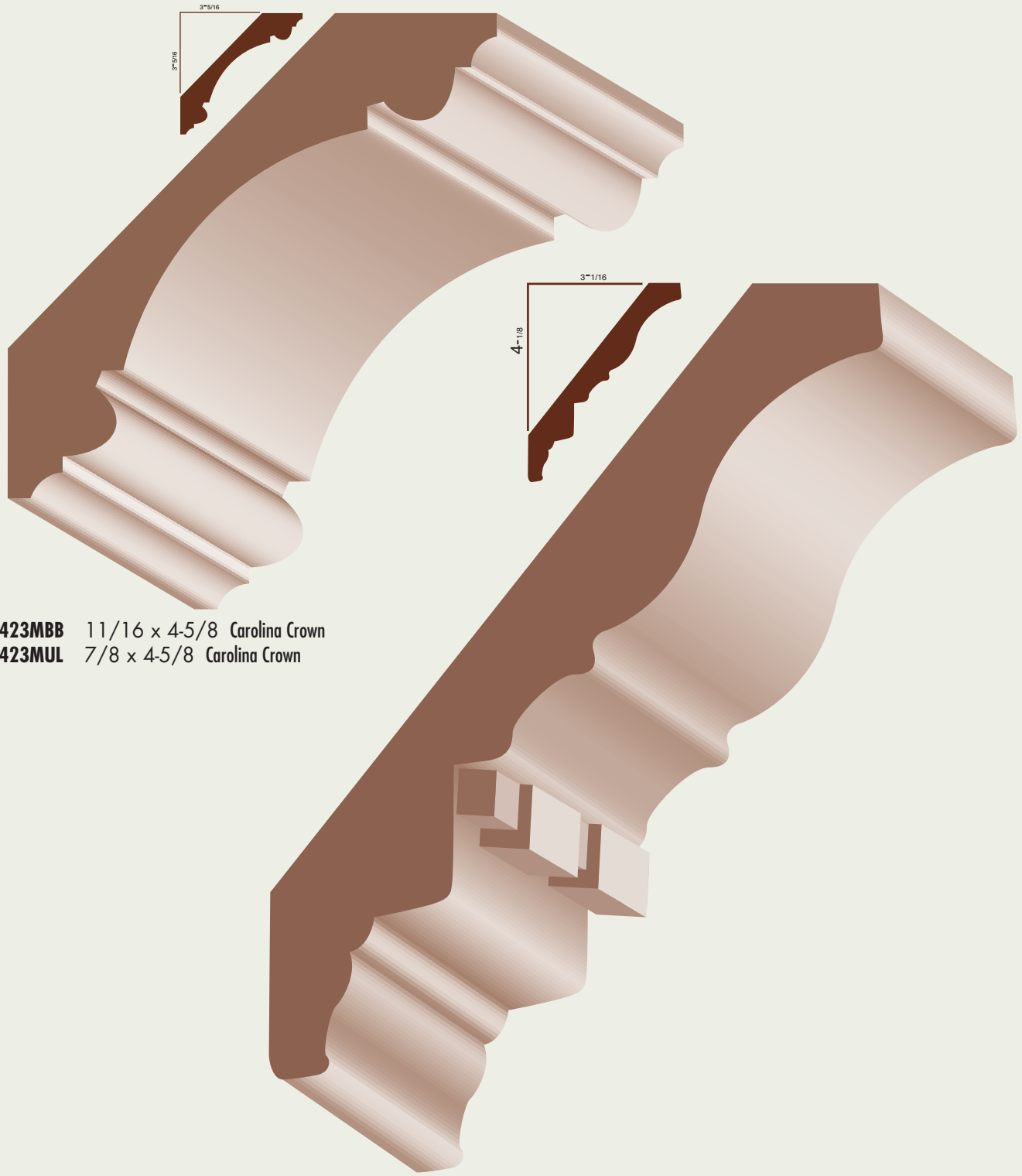


MUL = Ultralite MDF
MBB = Standard to Lightweight MDF

CROWN & CORNICE MOLD

—  4-5/8 TO 5-1/16  —

Lengths Available: 16'



423MBB 11/16 x 4-5/8 Carolina Crown
423MUL 7/8 x 4-5/8 Carolina Crown

455MBB 11/16 x 5-1/16 Dentil Crown

STANDARD MOULDINGS :: ULTRALITE & BASIC MDF

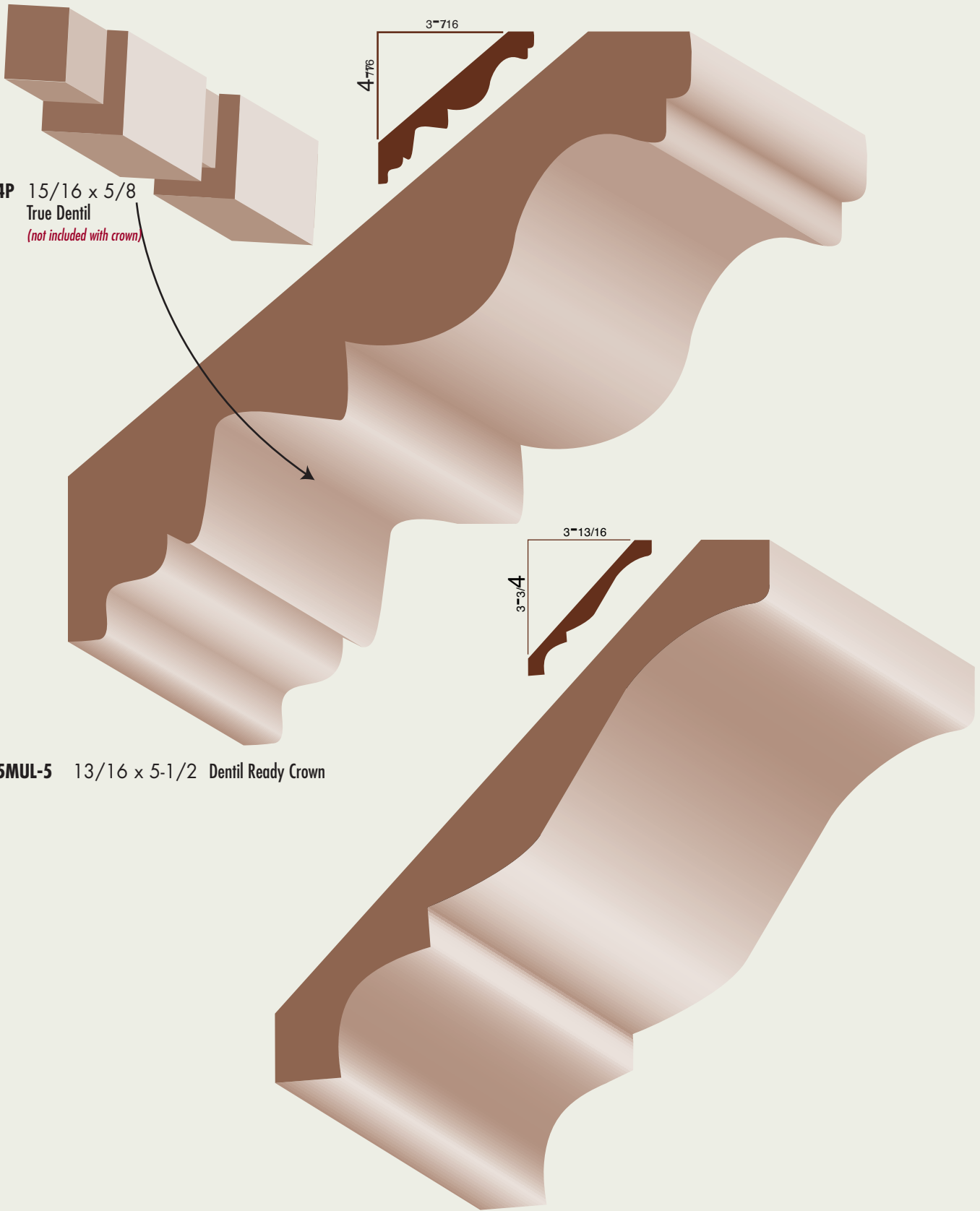


CROWN

— \approx 5-1/4 TO 5-1/2 \approx —
 Lengths Available: 16'

MUL = Ultralite MDF
 MBB = Standard to Lightweight MDF

DE74P 15/16 x 5/8
 True Dentil
 (not included with crown)



425MUL-5 13/16 x 5-1/2 Dentil Ready Crown

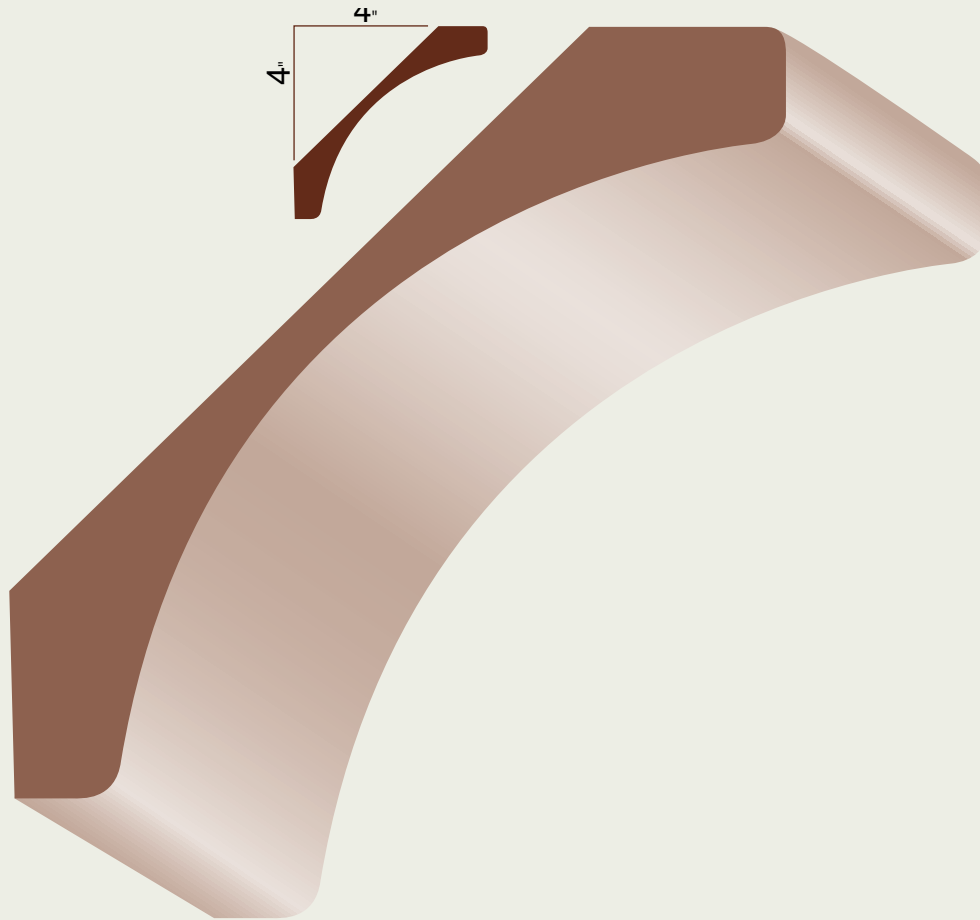
414MBB 9/16 x 5-1/4 Colonial Crown
 414MUL 9/16 x 5-1/4 Colonial Crown



MUL = Ultralite MDF
MBB = Standard to Lightweight MDF

CROWN & CORNICE MOLD

—  5-5/8"  —
Lengths Available: 16'



444MUL 1-1/4 x 5-5/8
Contemporary Crown

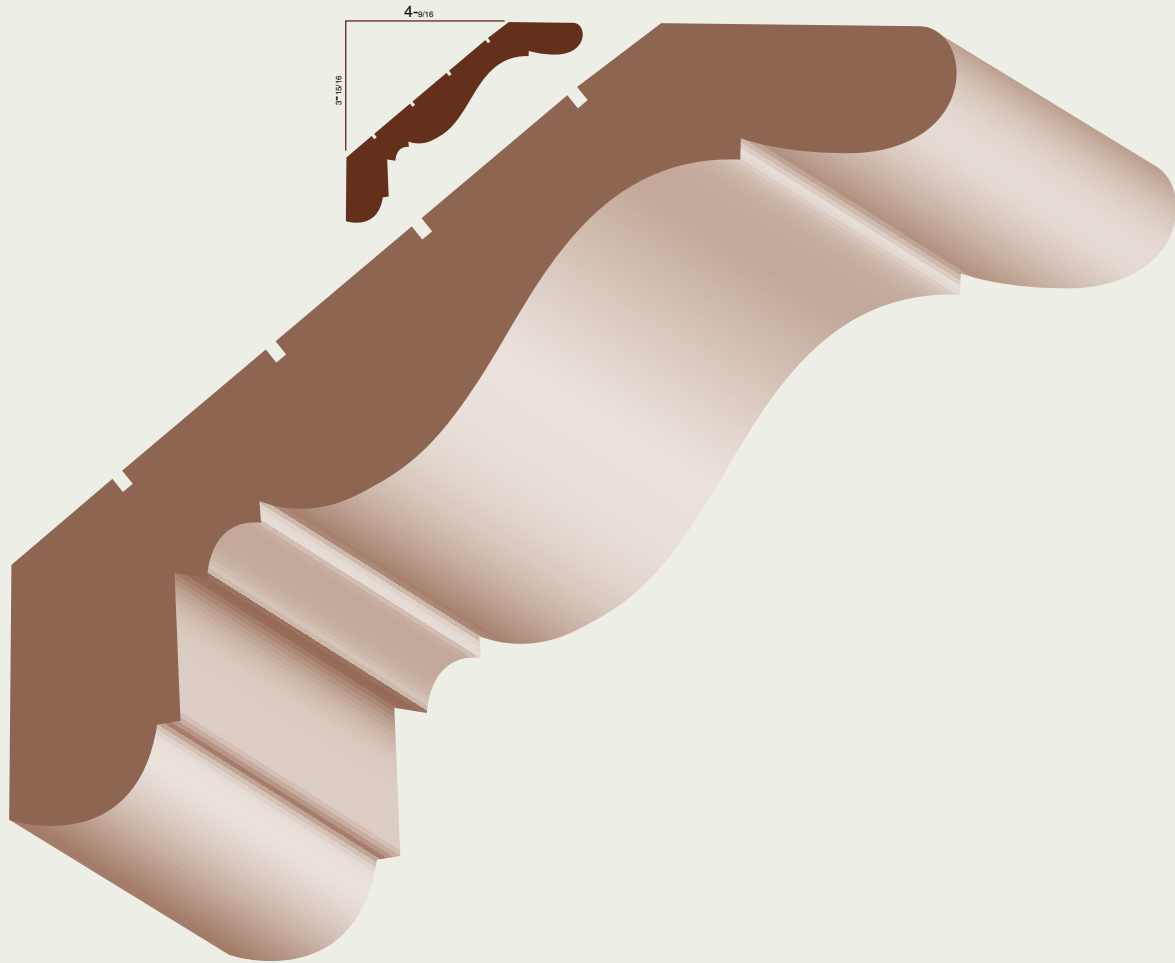


CROWN & CORNICE MOLD

MUL = Ultralite MDF
MBB = Standard to Lightweight MDF

—  6"  —

Lengths Available: 16'



134

408MUL 1-1/16 x 6 Cornice



MUL = Ultralite MDF
MBB = Standard to Lightweight MDF

CROWN & CORNICE MOLD

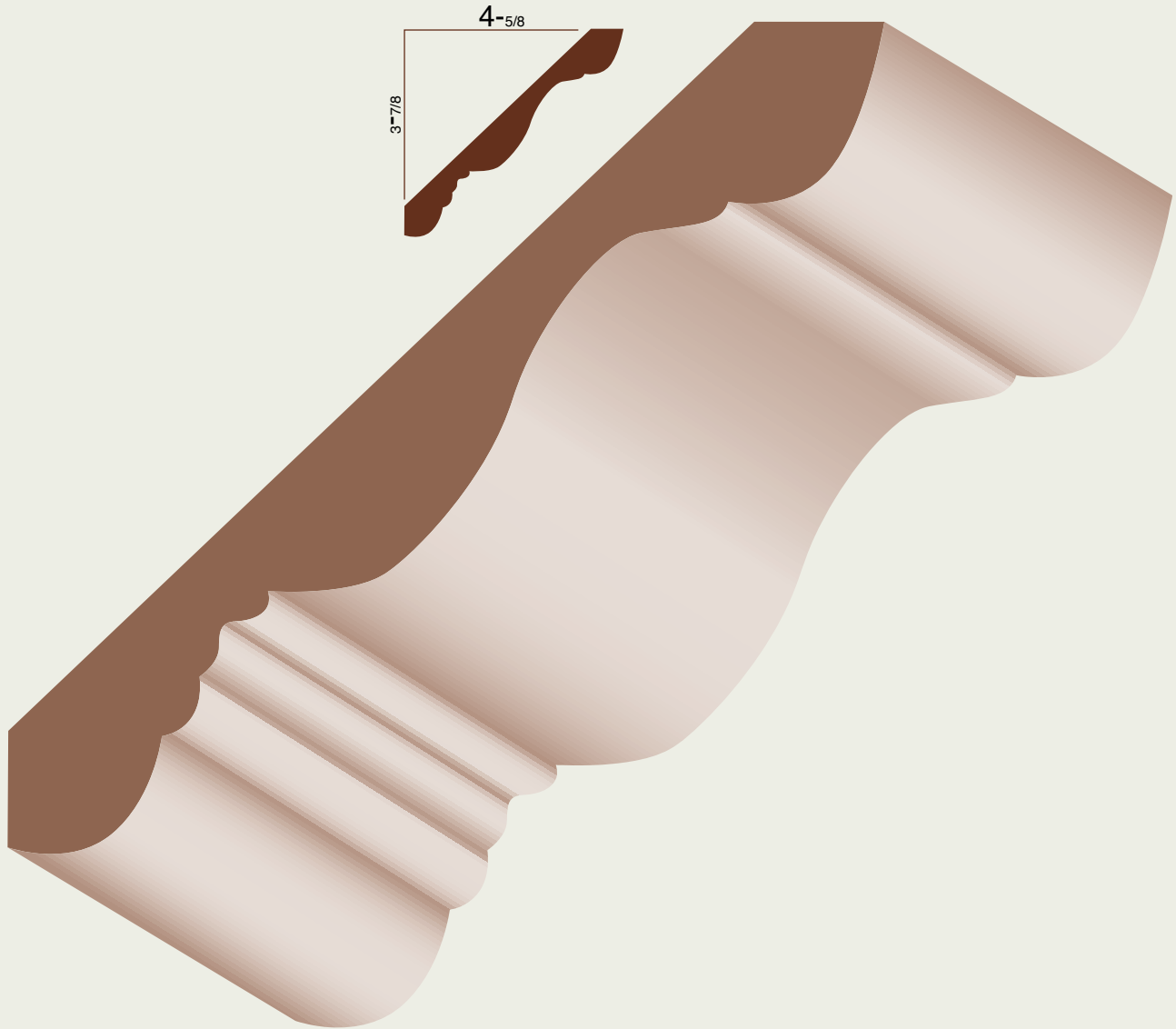
— 6" —

Lengths Available: 16'

STANDARD MOULDINGS :: ULTRALITE & BASIC MDF



135



410MBB 1 1/16 x 6 Crown
410MUL 1 1/16 x 6 Crown



EL & EL Wood Products Corp.
Millwork that creates distinction.™

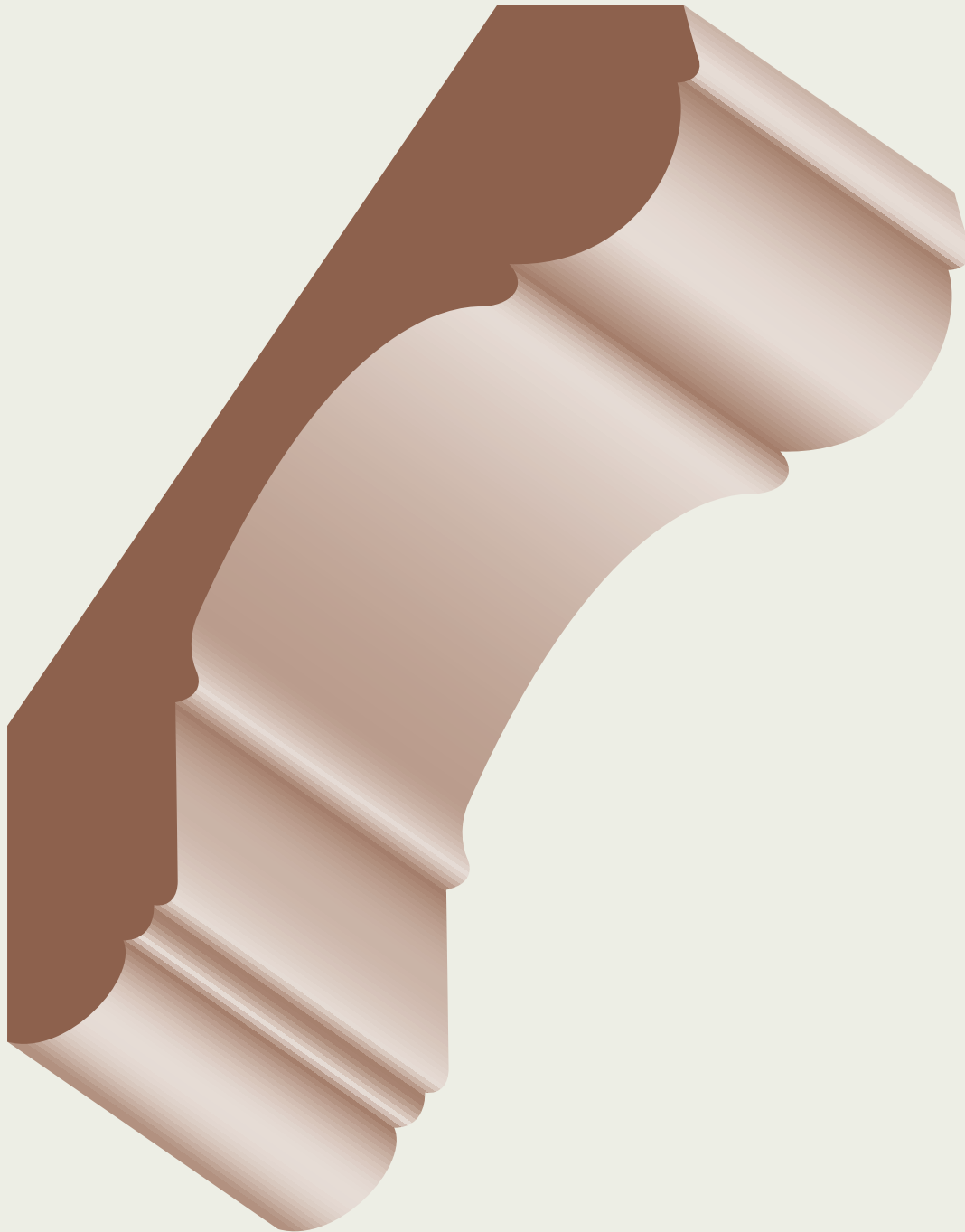
elandelwoodproducts.com

CROWN & CORNICE MOLD

MUL = Ultralite MDF
MBB = Standard to Lightweight MDF

— 6" —

Lengths Available: 16'



136

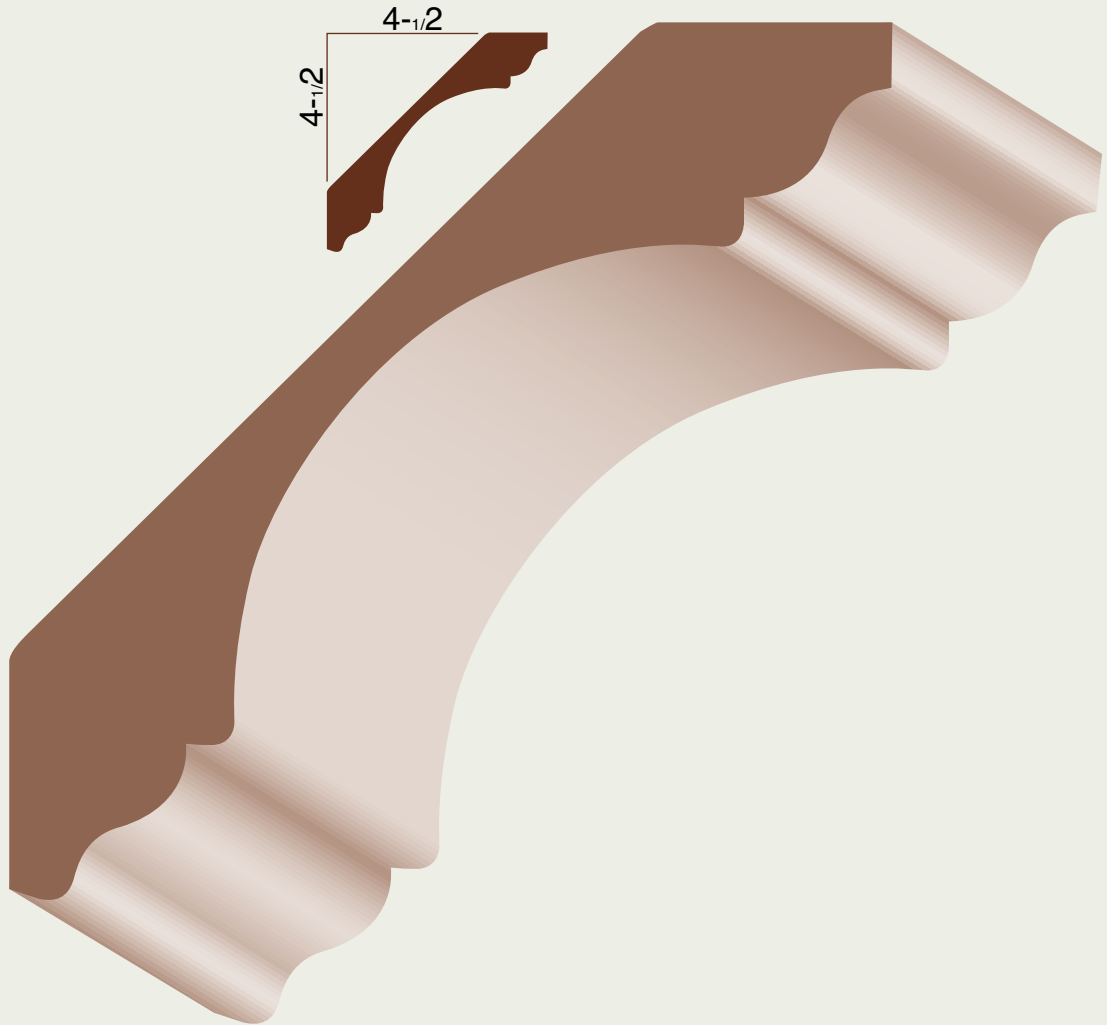
453MUL 1-1/8 x 6 La Costa Crown



MUL = Ultralite MDF
MBB = Standard to Lightweight MDF

CROWN & CORNICE MOLD

— $6\text{-}1/4''$ —
Lengths Available: 16'



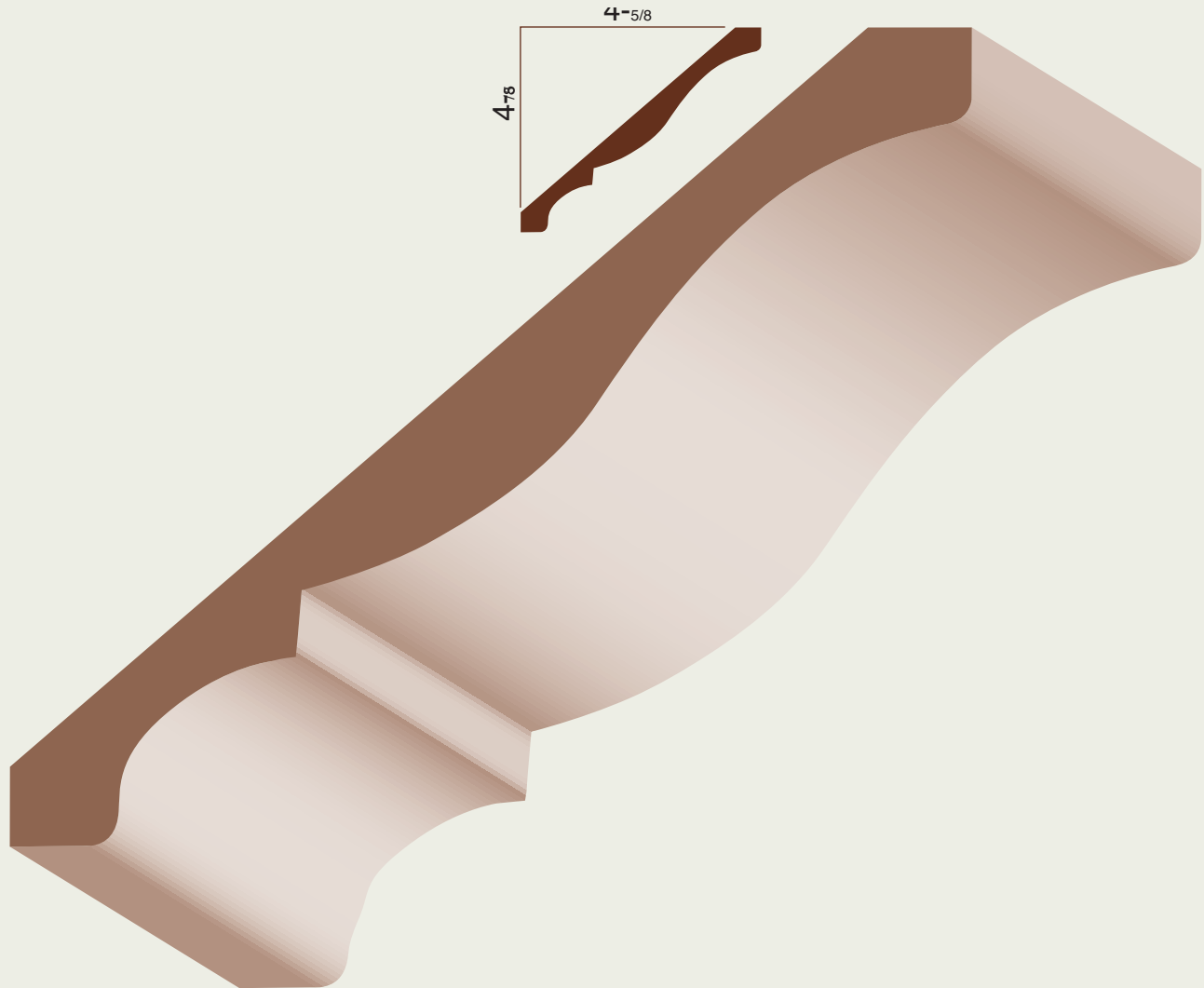
435MUL 1-1/8 x 6-1/4 Regal Crown



CROWN & CORNICE MOLD

MUL = Ultralite MDF
MBB = Standard to Lightweight MDF

—  6-1/2"  —
Lengths Available: 16'



138

416MUL 9/16 x 6-1/2 Colonial Crown



MUL = Ultralite MDF
MBB = Standard to Lightweight MDF

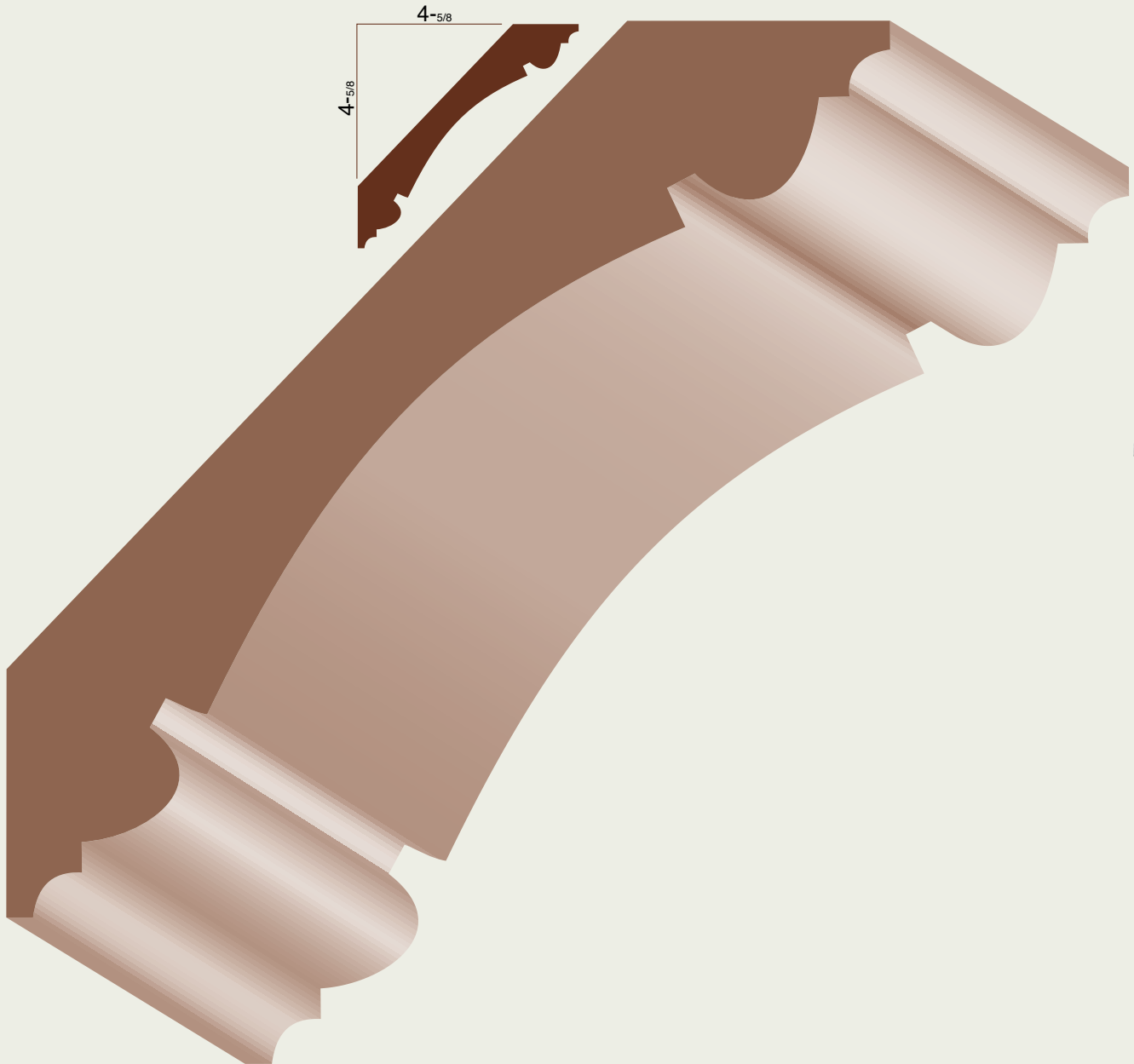
CROWN & CORNICE MOLD

—  6-1/2"  —
Lengths Available: 16'

STANDARD MOULDINGS :: ULTRALITE & BASIC MDF



139



424MUL 1-1/8 x 6-1/2 Carolina Crown





EL & EL Wood Products Corp.
Millwork that creates distinction.™

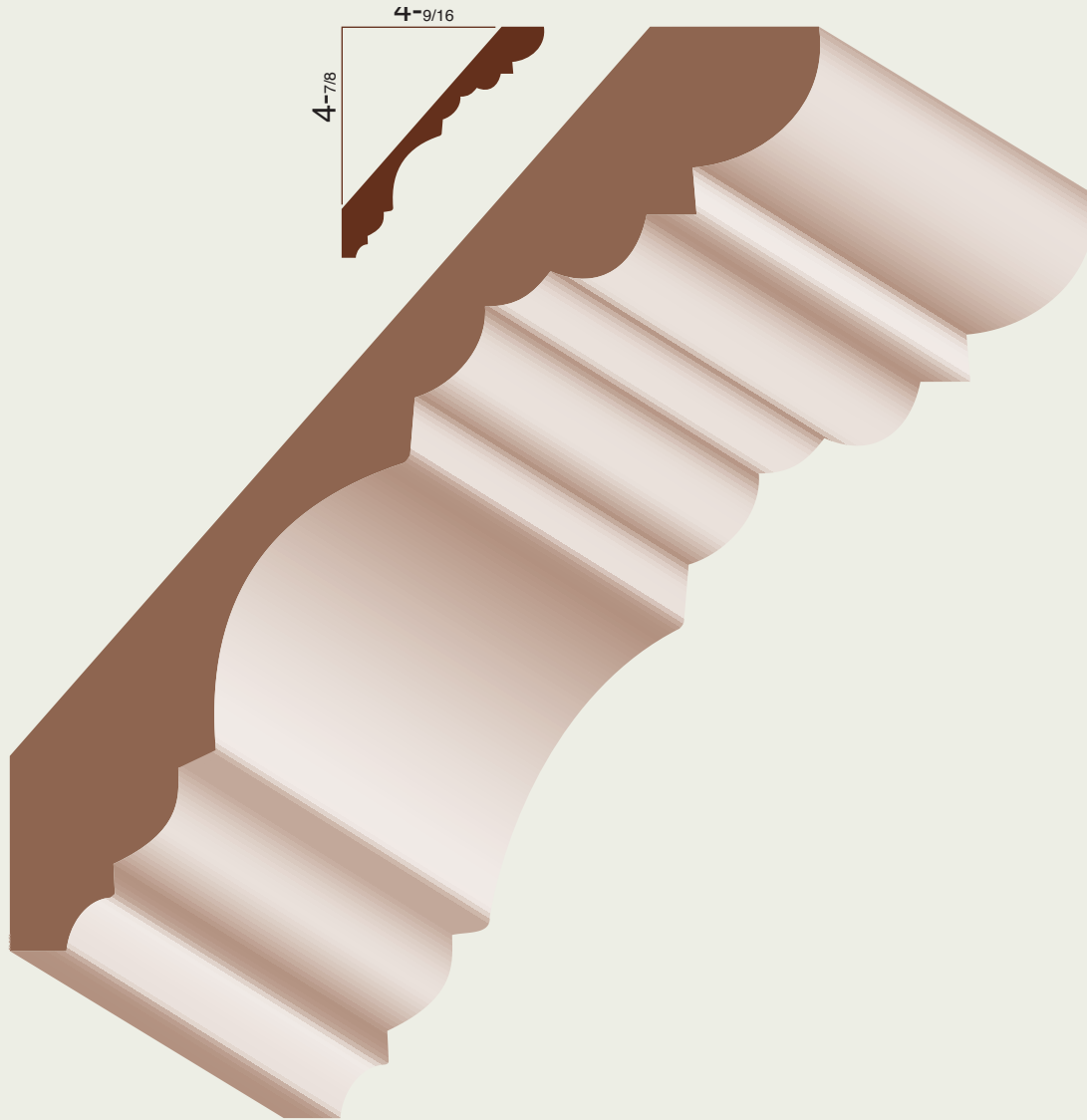
elandelwoodproducts.com

CROWN & CORNICE MOLD

MUL = Ultralite MDF
MBB = Standard to Lightweight MDF

—  6-1/2"  —

Lengths Available: all 16'





140

427MUL 3/4 x 6-1/2 Georgian Crown

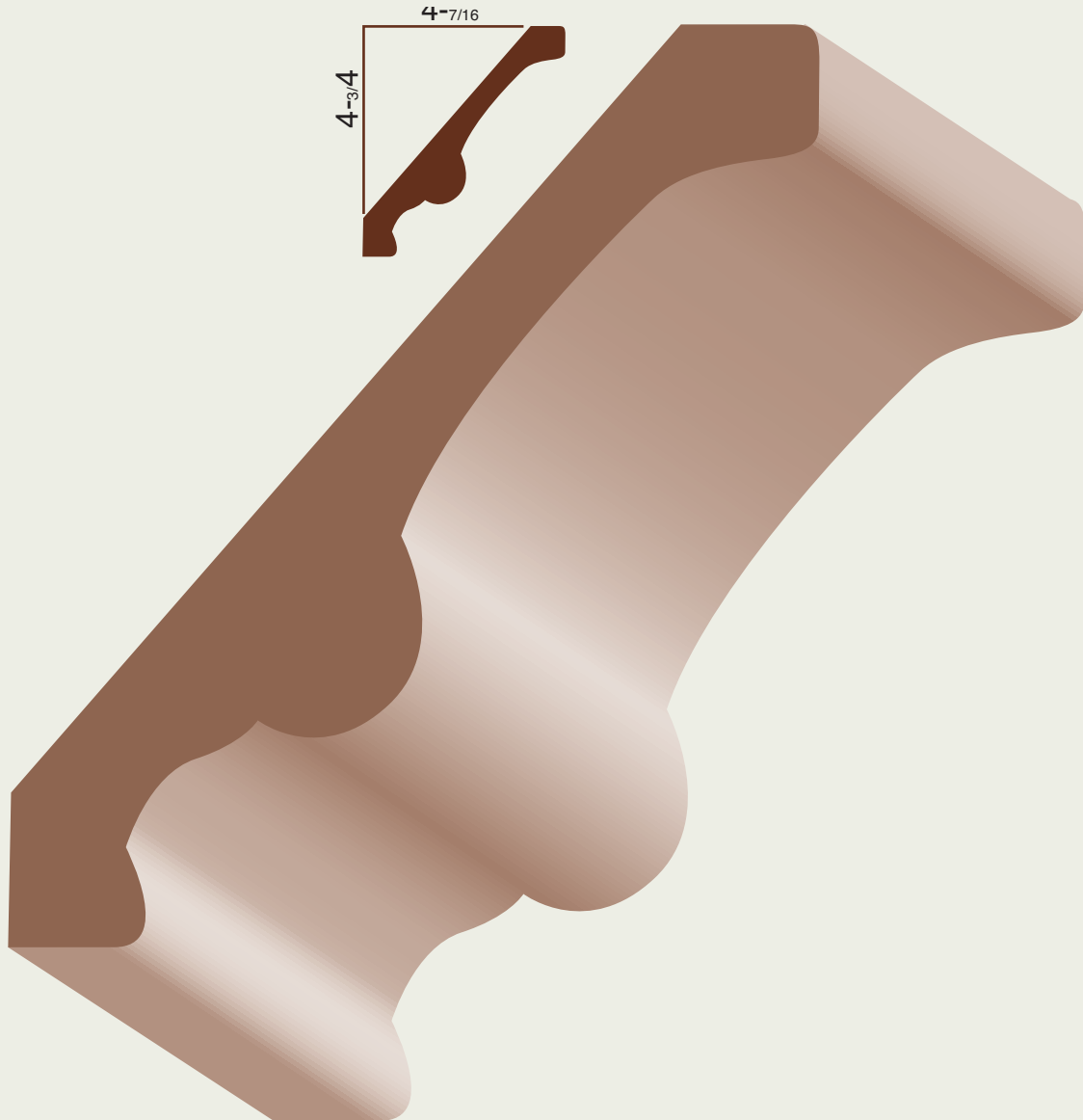


MUL = Ultralite MDF
MBB = Standard to Lightweight MDF

CROWN & CORNICE MOLD

—  6-1/2"  —

Lengths Available: all 16'



431MUL 1 x 6-1/2 Single Bead Crown

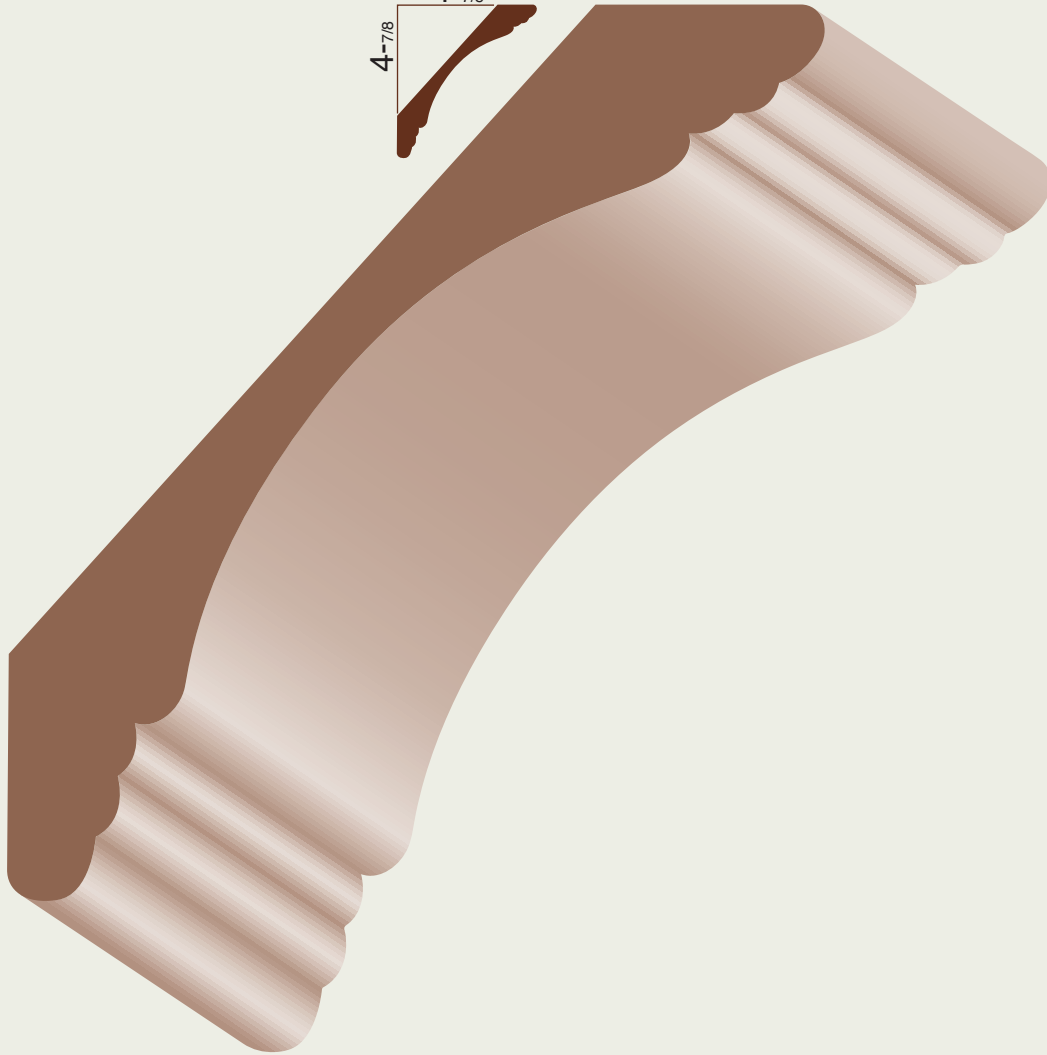
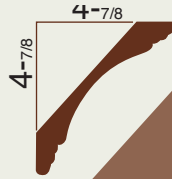


CROWN & CORNICE MOLD

MUL = Ultralite MDF
MBB = Standard to Lightweight MDF

— $6\text{-}3/4"$ —

Lengths Available: all 16'



433MUL 1 x 6-3/4 Del Mar Crown

142



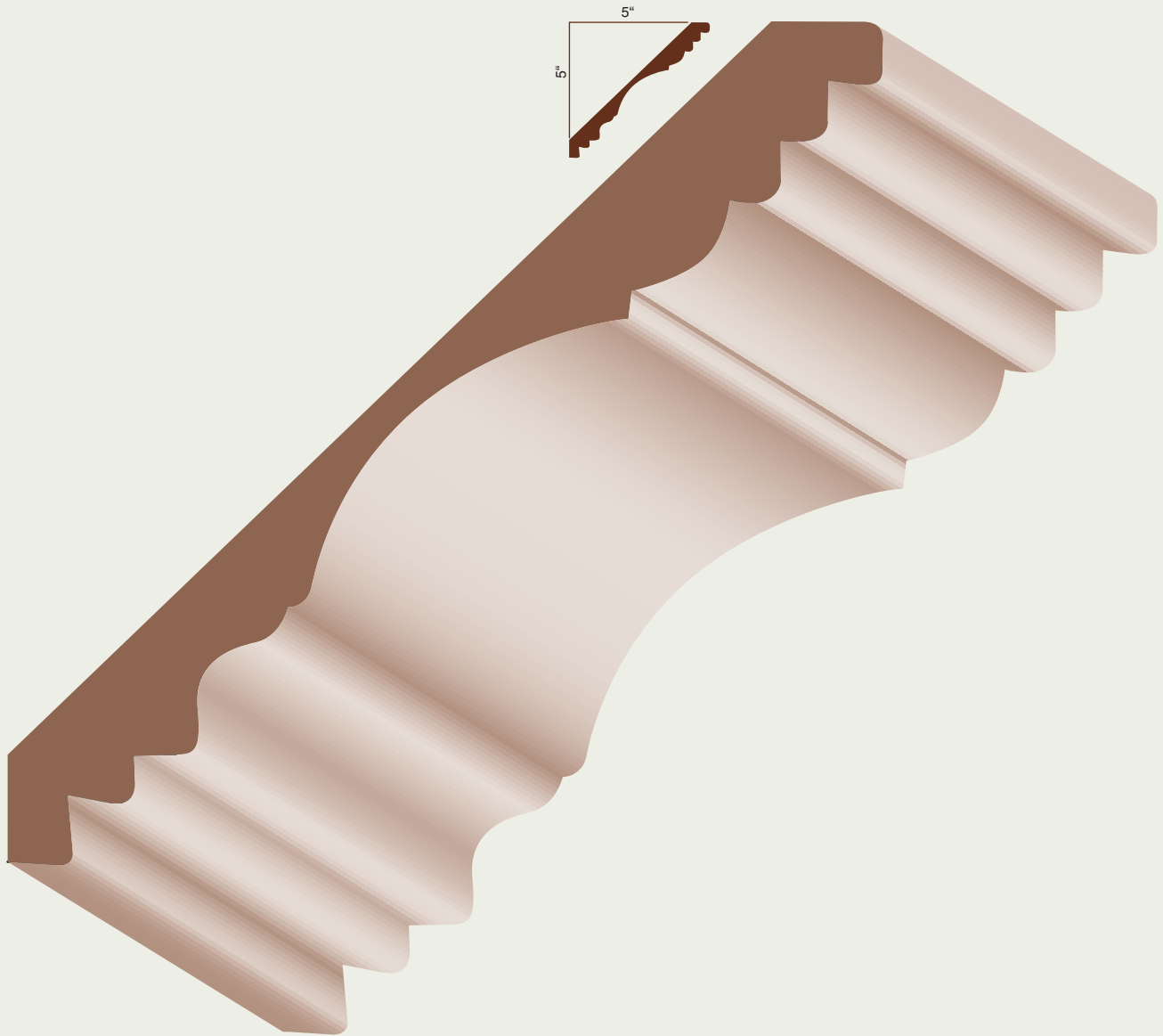
MUL = Ultralite MDF
MBB = Standard to Lightweight MDF

CROWN



Lengths Available: all 16'

STANDARD MOULDINGS :: ULTRALITE & BASIC MDF



415MUL 1 1/16 x 7 Classic Crown

143





EL & EL Wood Products Corp.
Millwork that creates distinction.™

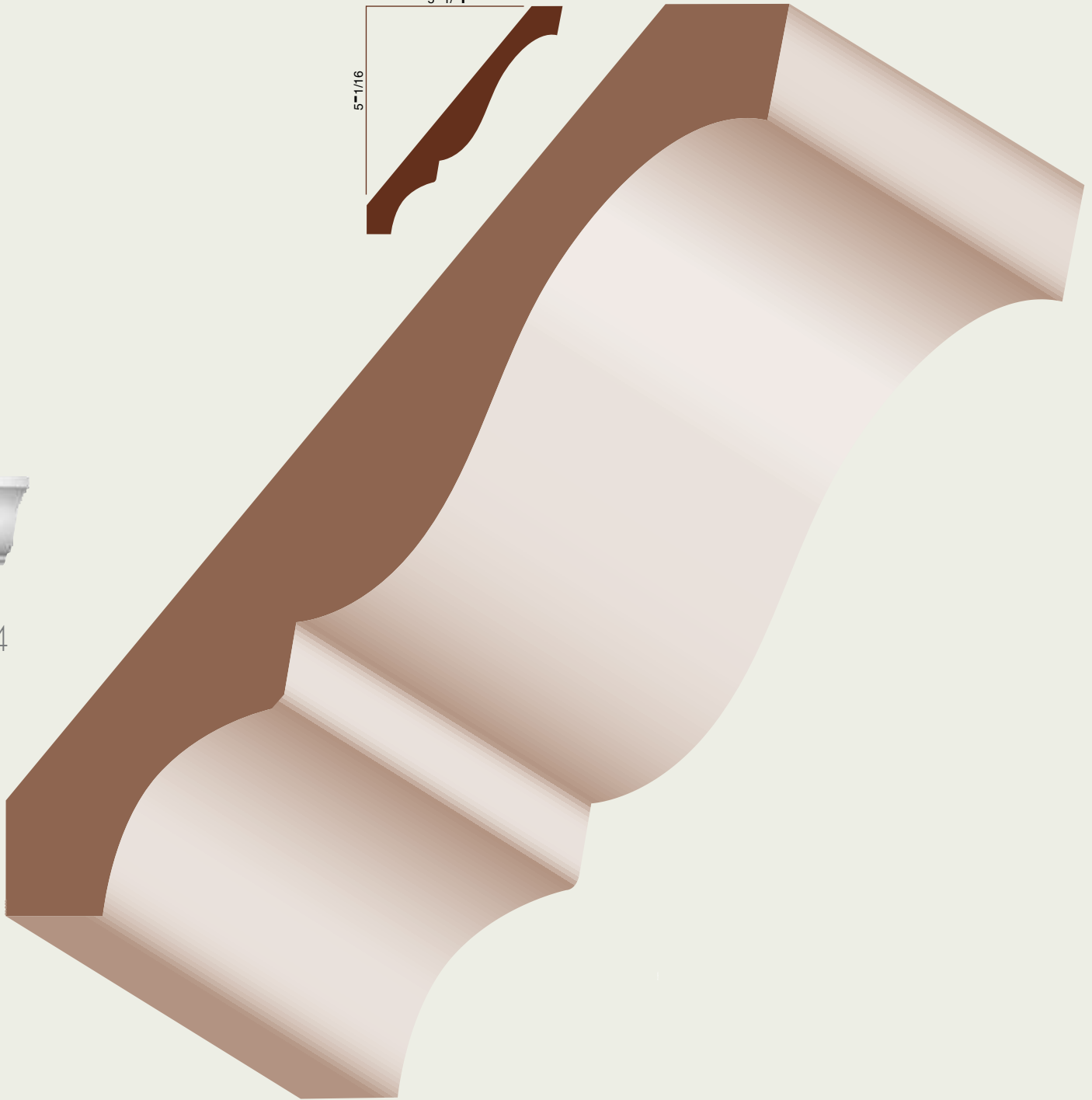
elandelwoodproducts.com

CROWN

MUL = Ultralite MDF
MBB = Standard to Lightweight MDF

—  7-1/4"  —

Lengths Available: all 16'





144

417MUL 9/16 x 7-1/4 Colonial Crown

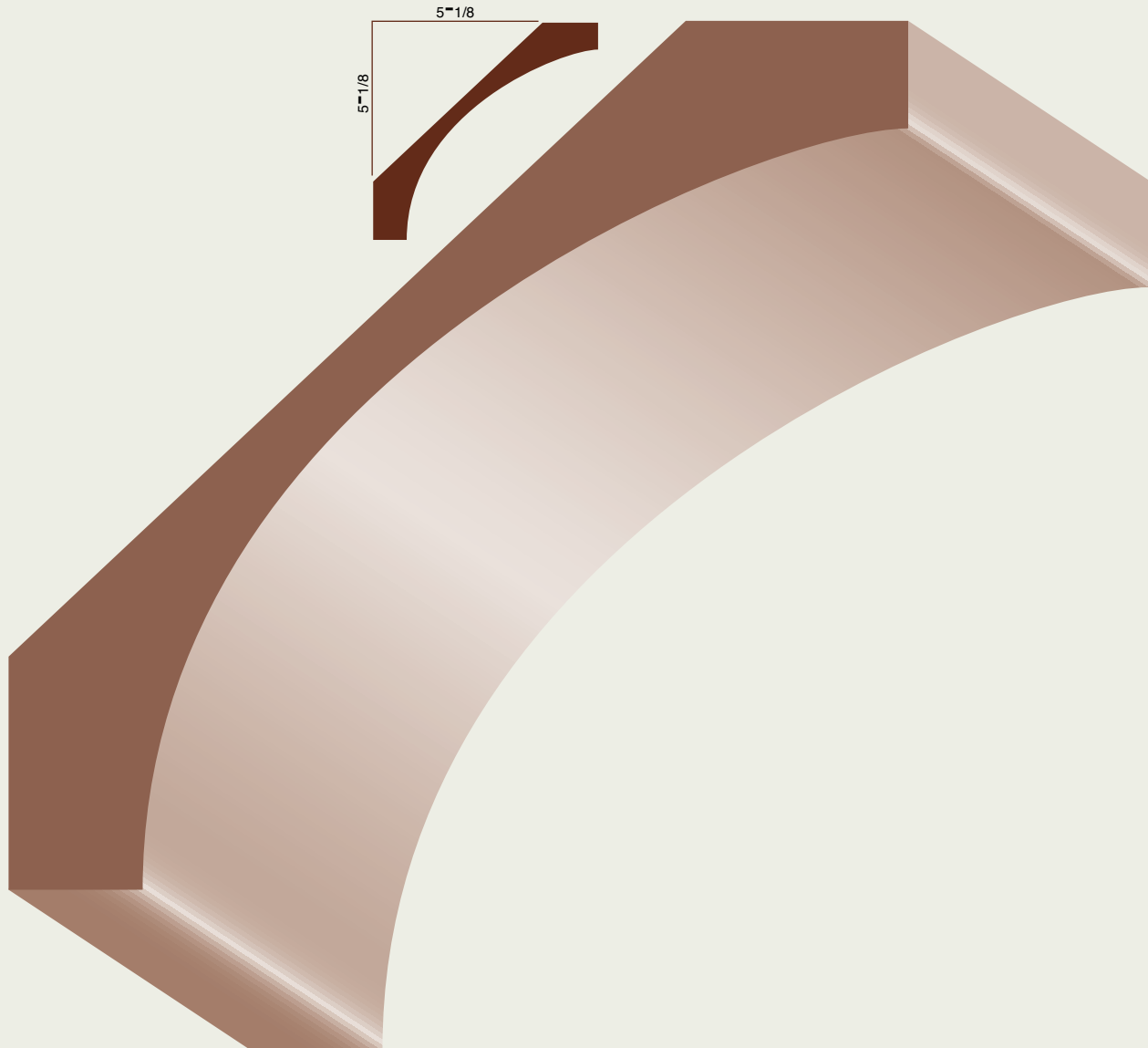


MUL = Ultralite MDF
MBB = Standard to Lightweight MDF

CROWN

—  7-1/4"  —

Lengths Available: all 16'



445MUL 1-1/4 x 7-1/4 Contemporary Crown

STANDARD MOULDINGS :: ULTRALITE & BASIC MDF

145



EL & EL Wood Products Corp.
Millwork that creates distinction.™

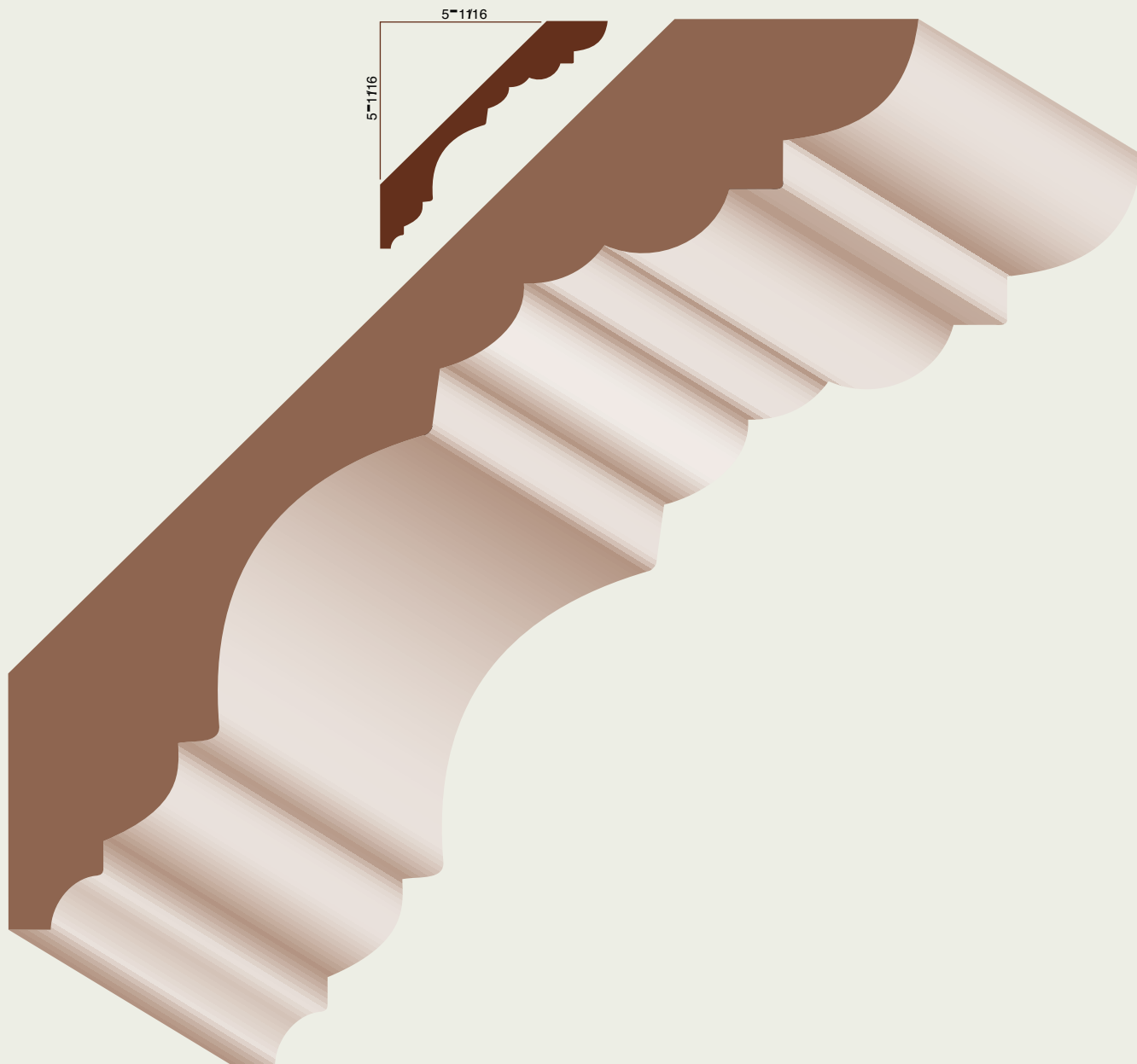
elandelwoodproducts.com

CROWN

— 8" —

Lengths Available: 16'

MUL = Ultralite MDF
MBB = Standard to Lightweight MDF



146

428MUL 1-1/16 x 8 Georgian Crown

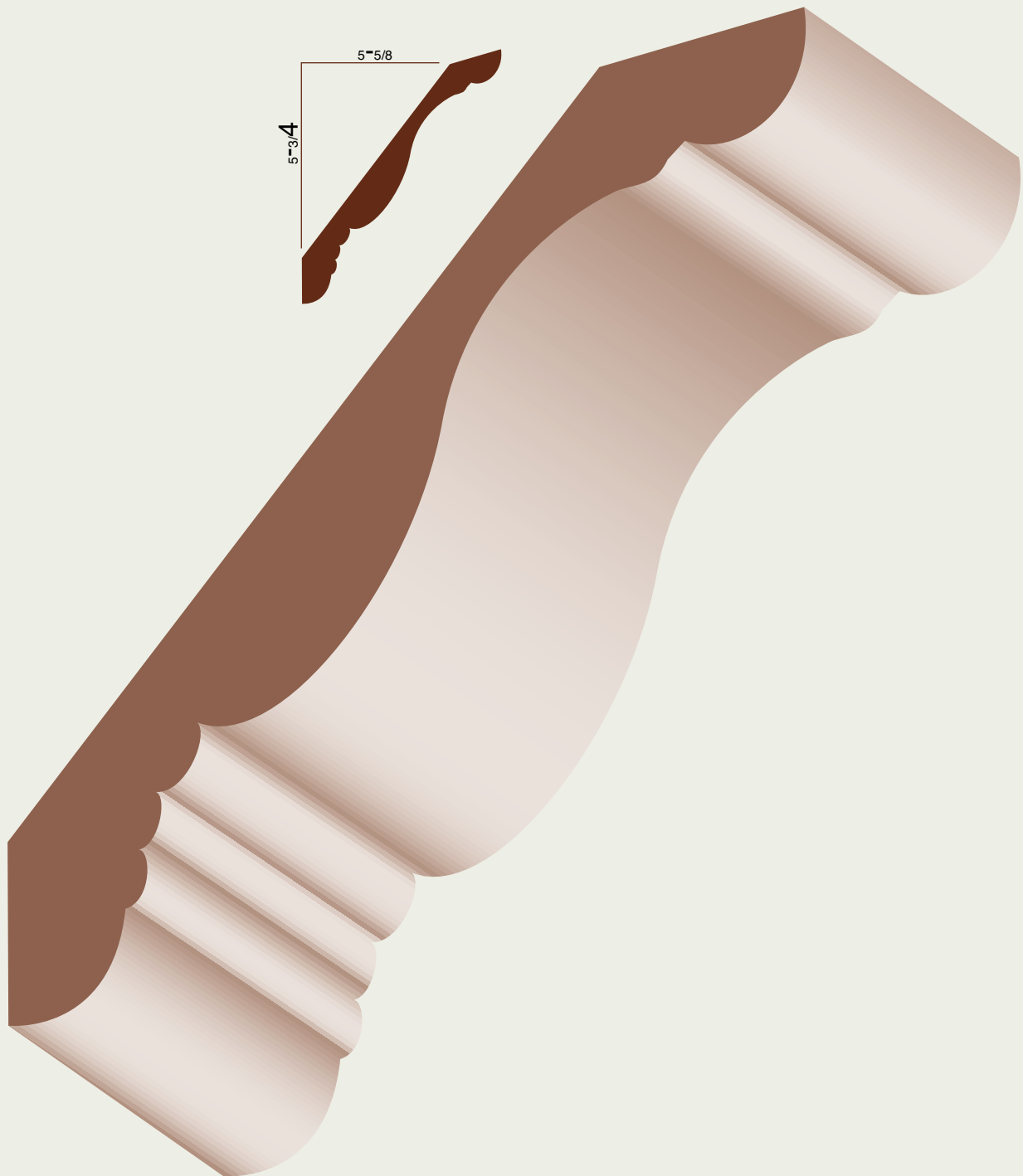


MUL = Ultralite MDF
MBB = Standard to Lightweight MDF

CROWN

— 8" —

Lengths Available: all 16'



450MUL 1 x 8 LG 410 Crown

STANDARD MOULDINGS :: ULTRALITE & BASIC MDF



147



EL & EL Wood Products Corp.
Millwork that creates distinction.™

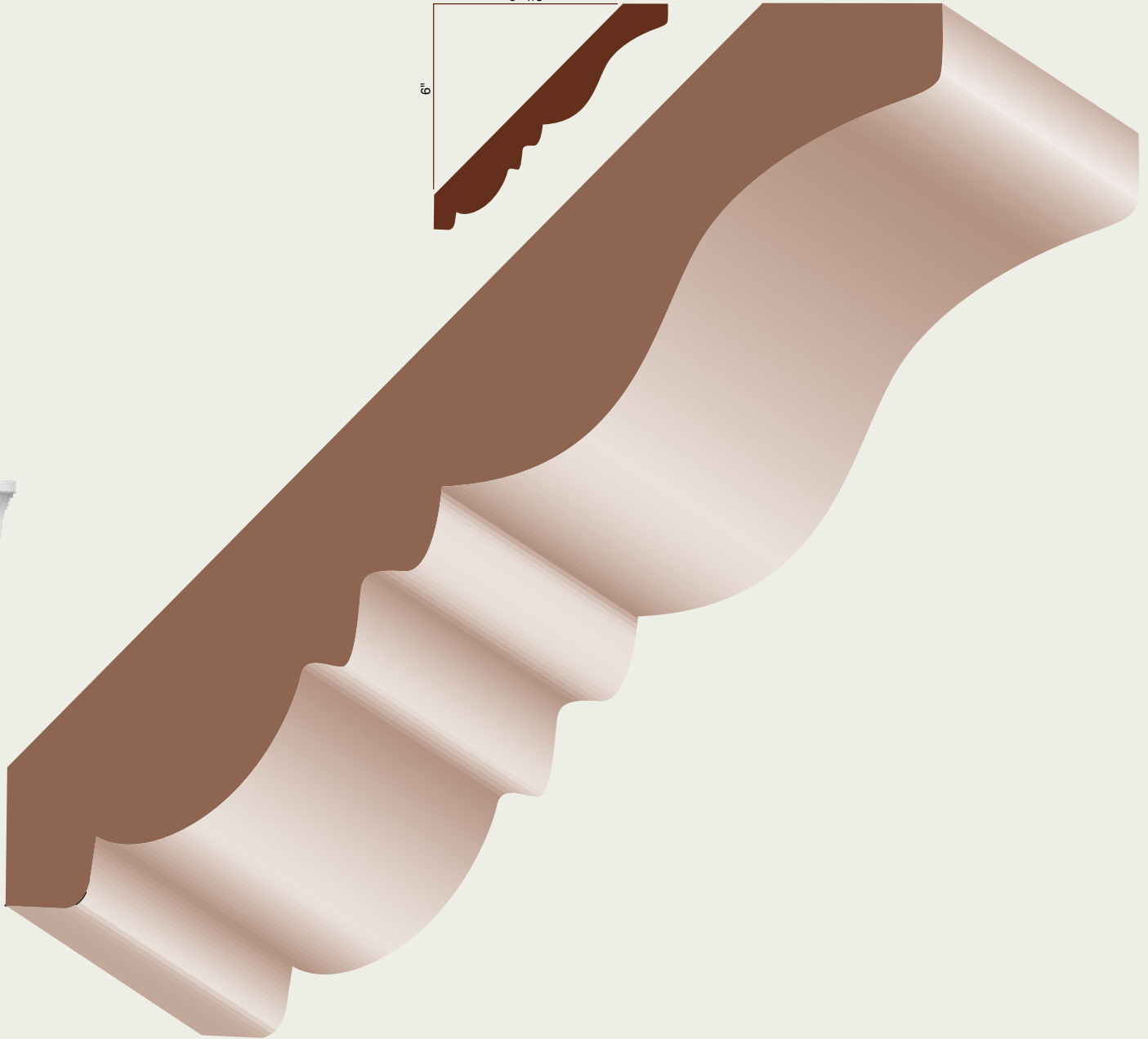
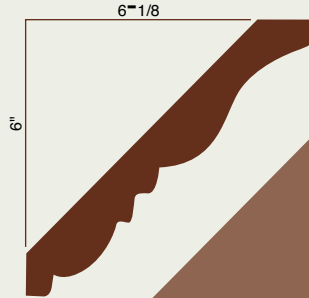
elandelwoodproducts.com

CROWN

—  8-1/2"  —

Lengths Available: all 16'

MUL = Ultralite MDF
MBB = Standard to Lightweight MDF





148

432MUL 1-1/8 x 8-1/2 Corona Crown

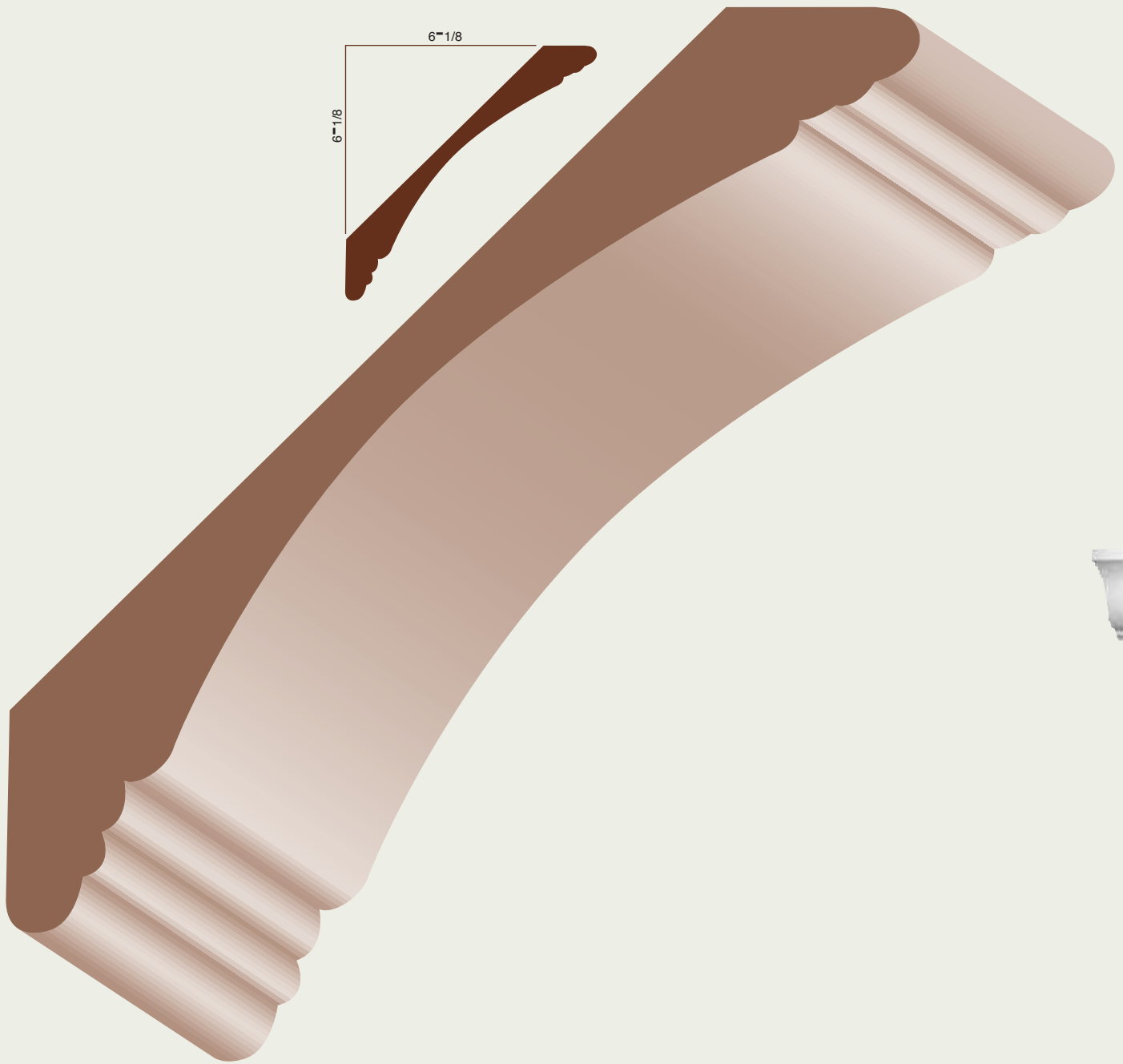


MUL = Ultralite MDF
MBB = Standard to Lightweight MDF

CROWN & CORNICE MOLD

—  8-1/2"  —

Lengths Available: all 16'



454MUL 1-1/8 x 8-1/2 Del Mar Crown
(Formerly 434MUL)

STANDARD MOULDINGS :: ULTRALITE & BASIC MDF

149



EL & EL Wood Products Corp.
Millwork that creates distinction.™

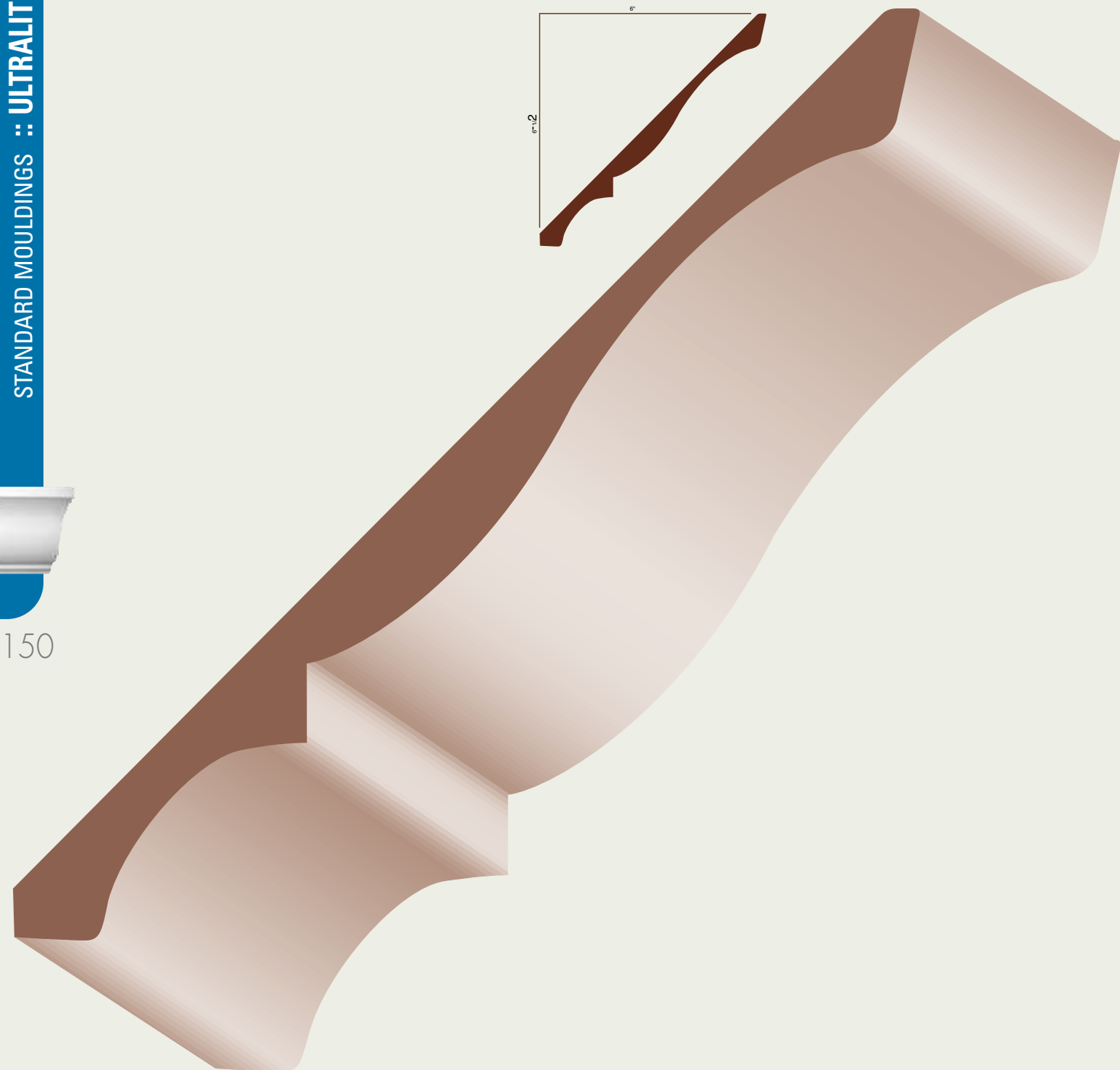
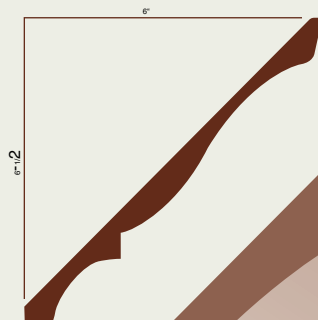
elandelwoodproducts.com

MDF CROWN

MUL = Ultralite MDF
MBB = Standard to Lightweight MDF

— $8\text{-}7/8''$ —

Lengths Available: all 16'



150

449MUL 1 1/16 x 8-7/8 Colonial Crown

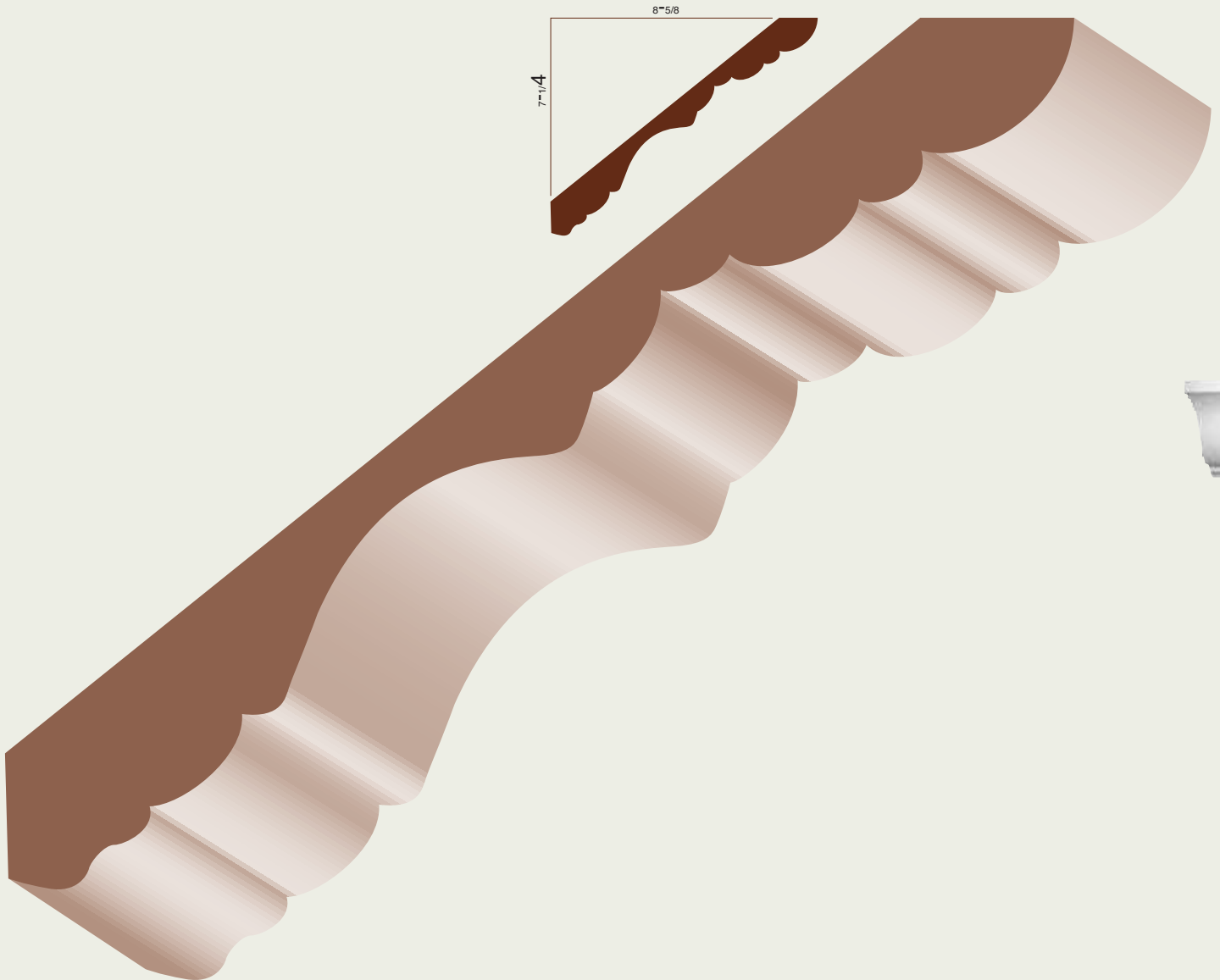


MUL = Ultralite MDF
MBB = Standard to Lightweight MDF

MDF CROWN

— $11-1/4"$ —

Lengths Available: all 16'



429MUL 1 x 11-1/4 Georgian Crown (Not to Scale)

STANDARD MOULDINGS :: ULTRALITE & BASIC MDF

